




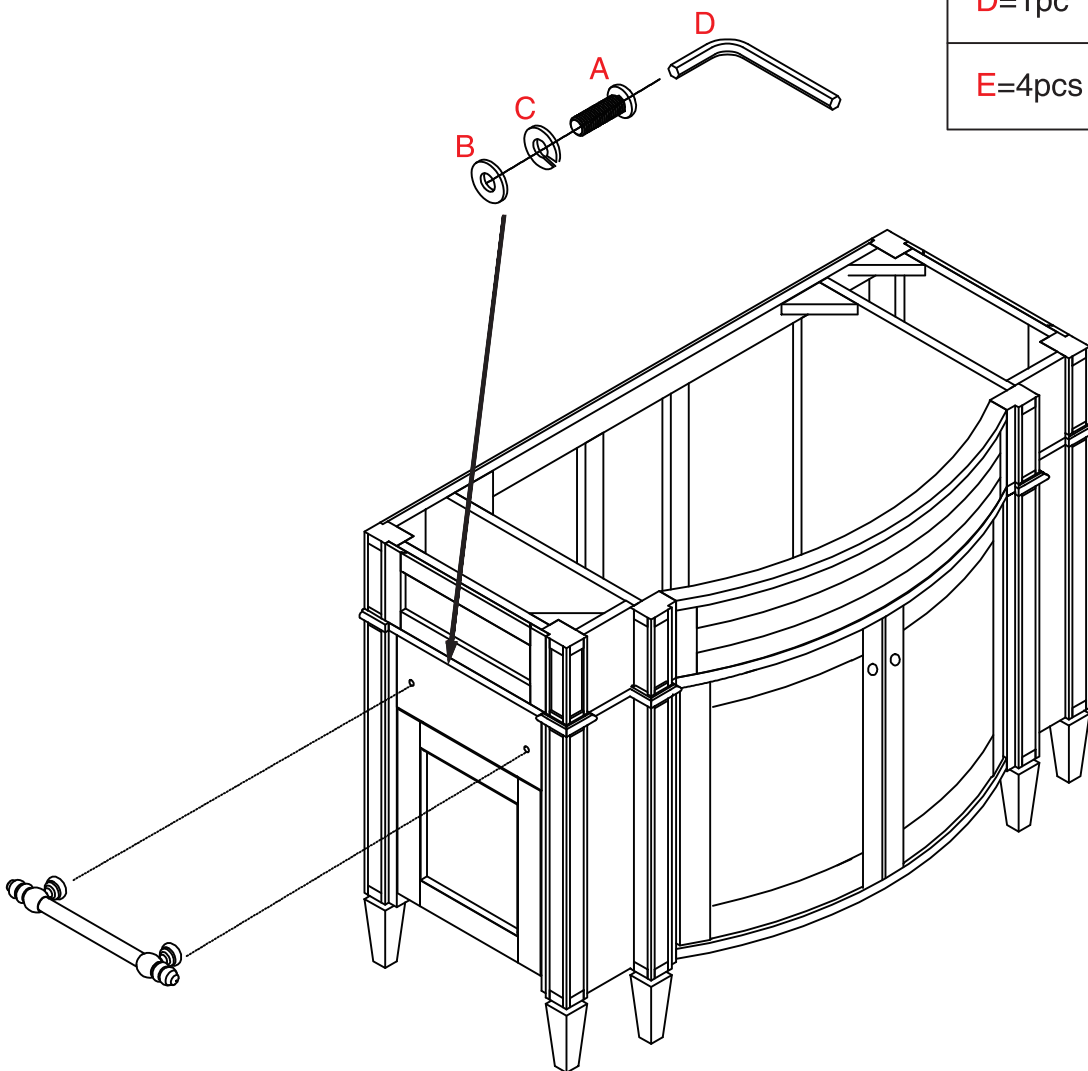




**Brittany Vanity Assembly Instructions:**

650-V46-BNM / 650-V46-BKO / 650-V46-CWH / 650-V46-UGR / 650-V46-VBL

A=4pcs	Ø1/4*1-3/8	
B=4pcs	Ø16	
C=4pcs	Ø1/4	
D=1pc	Ø4	
E=4pcs	Ø11	



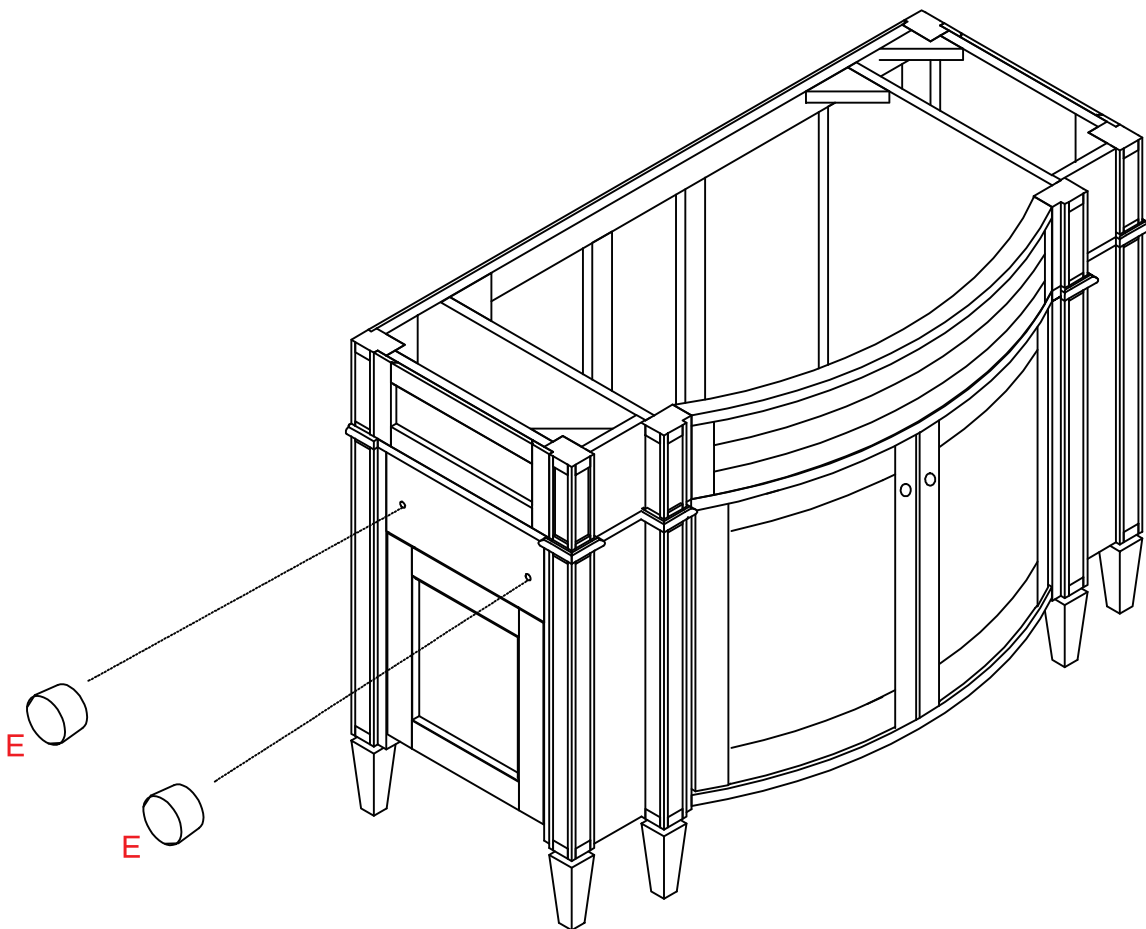
Step 1: Please hold the towel bar handles against the pre-drilled holes in the cabinet. Insert the bolt through the Flat Washer (B) and the Spring Washer (C) through the cabinet and into the towel bar handles. The Allen wrench needed to tighten the bolts is included in the specially red marked hardware bag.

Note 1: If you purchased your Brittany cabinet as a stand-alone vanity, then please attached the towel bars both sides of the cabinet. If you purchased a pair of vanity cabinets, plus the optional makeup counter, then you only need to attach towel bars to one side of each cabinet.

Refer to Brittany Optional Makeup Counter 650-DU26 Assembly Instructions if you purchased the optional makeup counter.

**Brittany Vanity Assembly Instructions:**

650-V46-BNM / 650-V46-BKO / 650-V46-CWH / 650-V46-UGR / 650-V46-VBL



**NOTE:** If you don't want use towel bars, extra caps (covers) are included for the holes.  
Please stock your extra caps in a safe place for future uses if not use this time.